

When the heat is on...

FAHRENHEIT

HEAT TOLERANT VRLA BATTERIES

MTA-HT30XT

- Helios™ Additive reduces float current up to 75% enhancing high temperature life
- Microcat® Catalyst lowers float current, mitigates thermal buildup and cell dryout
- Exclusive IPF® Technology optimizes power capacity, cell consistency, and long-term reliability
- TempX™ Alloy inhibits corrosion under the highest temperature extremes
- Advanced AGM technology for superior power
- Puncture resistant micro-porous glass mat separators extend life
- Reinforced case resists bulging and meets safety requirements (UL 94 V-0)
- Case & cover heat sealed and 100% tested to prevent leaks
- Epoxy-sealed posts eliminate leaks
- Flame arresting, low pressure, self-sealing valves are 100% factory tested
- Computer-aided design and manufacturing control processes and standards to ensure quality products
- All batteries meet or exceed IEEE recommended practices
- Battery design and construction meet UL recognition requirements



SPECIFICATIONS

Nominal Voltage: 12-Volts
Rating: 28.2 Ampere-Hours @ 8 hr. rate to 1.75 V.P.C.
Positive Plate: >98% Pure lead with tin-calcium alloy
Negative Plate: Pure lead, calcium alloy
Post Seal: Epoxy-sealed
Terminal: Front access, 1/4" – 20 threaded insert
Case/Cover: Flame-retardant, polypropylene – UL 94 V-0/>28% L.O.I.

Catalyst: Microcat®
Safety Vent: Low positive pressure, self-sealing w/ flame arrestor
Float Voltage: 2.25 V.P.C. ± 0.01 V.P.C. @ 77°F (25°C)
 Range: (13.44V to 13.56V per battery)
Design life: 12 years in float applications @ 77°F (25°C)
Dimensions: Length - 7.82" (199 mm)
 Width - 5.29" (134.3 mm)
 Height - 6.71" (170 mm)
Weight: 26 lbs. (12 kg)

DISCHARGE RATINGS IN AMPS @ 77°F (25°C)†

Volts per Cell (V.P.C.)	1 HR.	2 HR.	3 HR.	4 HR.	5 HR.	8 HR.	12 HR.	20 HR.	24 HR.
1.75	22.9	12.5	8.7	6.7	5.5	3.5	2.4	1.5	1.2
1.80	22.3	12.2	8.6	6.6	5.4	3.5	2.4	1.4	1.2
1.85	20.9	11.6	8.2	6.3	5.2	3.3	2.3	1.4	1.2
1.88	19.3	10.9	7.7	6.0	4.9	3.2	2.2	1.3	1.1
1.90	18.1	10.3	7.3	5.7	4.7	3.0	2.1	1.3	1.1

*All ratings are subject to change without notice.

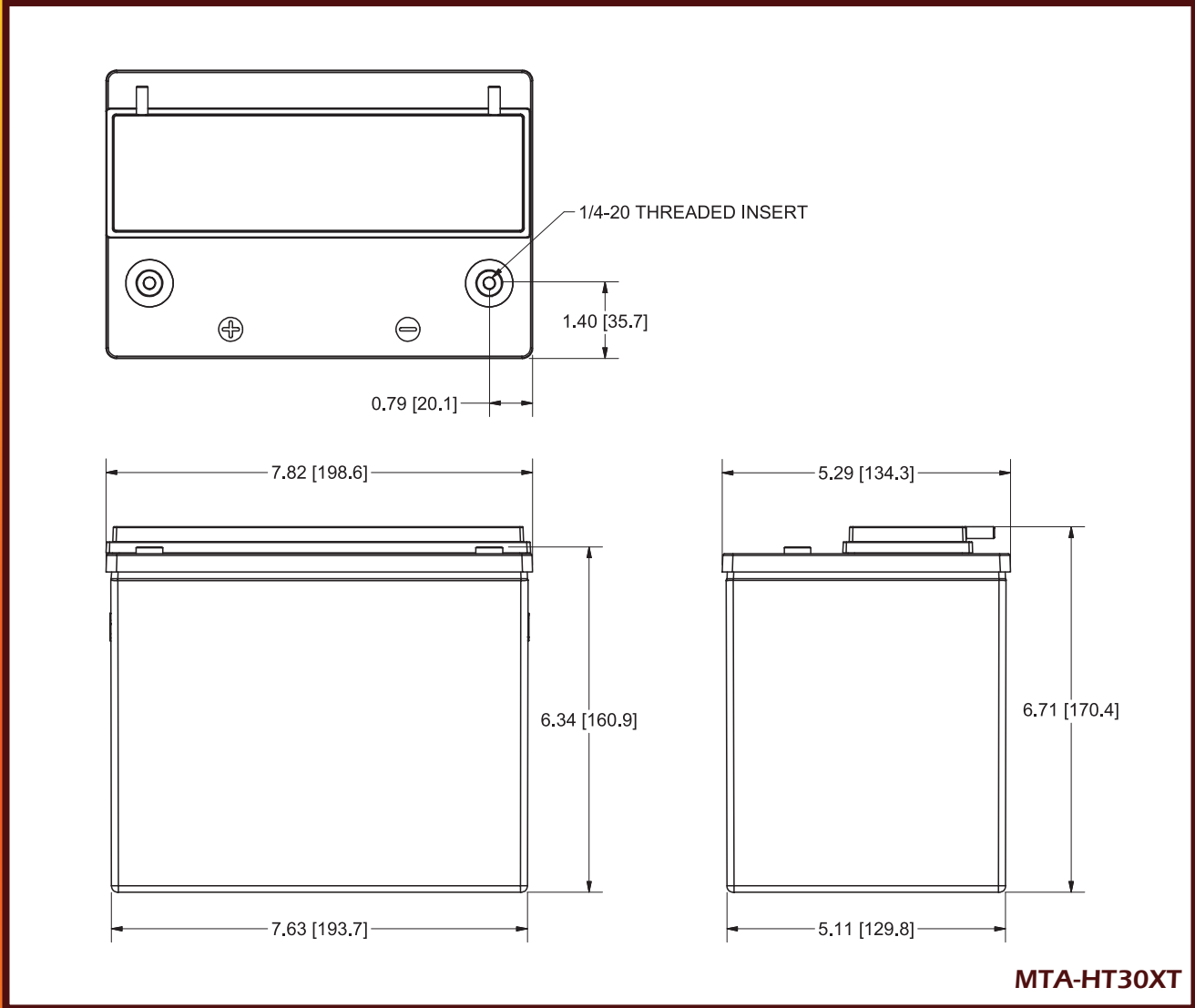


FAHRENHEIT

HEAT TOLERANT VRLA BATTERIES

6 YEAR FULL WARRANTY

AT AN AVERAGE AMBIENT TEMPERATURE OF 95°F



Mesa Technical Associates, Inc.

(518) 234-2000

www.mesa-tec.com

sales@mesa-tec.com

QUALITY SYSTEM
CERTIFIED
ISO 9001
ISO/TS 16949
ENVIRONMENTAL
SYSTEM CERTIFIED
ISO 14001

