



**MESA**  
TECHNICAL ASSOCIATES, INC

*When the heat is on...*

# FAHRENHEIT

## HEAT TOLERANT VRLA BATTERIES

### MTA-HT145XT

- **Exclusive IPF® Technology optimizes power capacity, cell consistency, and long-term reliability**
- Microcat® Catalyst lowers float current, mitigates thermal buildup and cell dryout
- Helios™ Additive reduces float current up to 75% enhancing high temperature life
- TempX™ Alloy inhibits corrosion under the highest temperature extremes
- Reinforced case resists bulging and meets safety requirements (UL 94 V-0)
- Case & cover heat sealed and 100% tested to prevent leaks
- Puncture resistant micro-porous glass mat separators extend life
- Flame arresting, low pressure, self-sealing valves are 100% factory tested
- Computer-aided design and manufacturing control processes and standards to ensure quality products
- All batteries meet or exceed IEEE 485, 1187, 1188, and Telcordia capacity requirements at shipment
- Battery design and construction meet UL recognition requirements



### SPECIFICATIONS

- Nominal Voltage:** 12-Volt/140 ampere-hours  
@ 8 hr. rate to 1.75 final v.p.c.
- Positive Plate:** Pure lead, low-calcium, high-tin alloy
- Negative Plate:** Lead calcium alloy
- Post Seal:** Epoxy-sealed
- Terminal:** Front access, 1/4" - 20 threaded insert
- Container:** Flame-retardant, UL 94 V-0/39% L.O.I.
- Safety Vent:** Low positive pressure, self-sealing w/ flame arrestor
- Float Voltage:** 2.25 v.p.c. ± 0.01 v.p.c. @ 77°F (25°C)  
(Range: 13.44 to 13.56 volts per 6-cell battery)

- Battery Life:** 6 years in float applications at 95°F (35°C)
- Dimensions:** 17.36" (440.9 mm) L  
x 6.90" (175.3 mm) W  
x 10.11" (256.7 mm) H
- Weight:** 102 lbs. (46.3 kg)

### DISCHARGE RATE IN AMPS<sup>†</sup> @77°F

Volts Per Cell (V.P.C.)	1 HR.	3 HR.	5 HR.	8 HR.	12 HR.	20 HR.	24 HR.
1.75	92.5	39.4	26.0	17.5	12.3	7.8	6.6
1.80	90.4	38.8	25.6	17.3	12.1	7.7	6.5
1.85	85.2	37.4	24.8	16.7	11.7	7.4	6.2
1.88	80.4	35.8	23.8	16.1	11.3	7.1	6.0
1.90	75.9	34.4	22.9	15.4	10.8	6.8	5.7

\*All ratings are subject to change without notice.

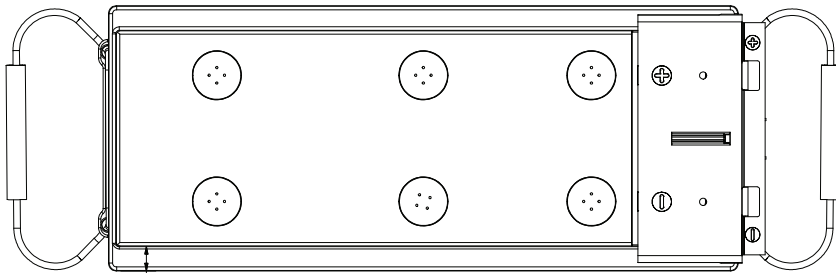


# FAHRENHEIT

## HEAT TOLERANT VRLA BATTERIES

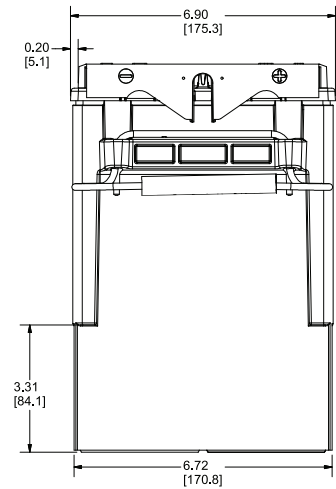
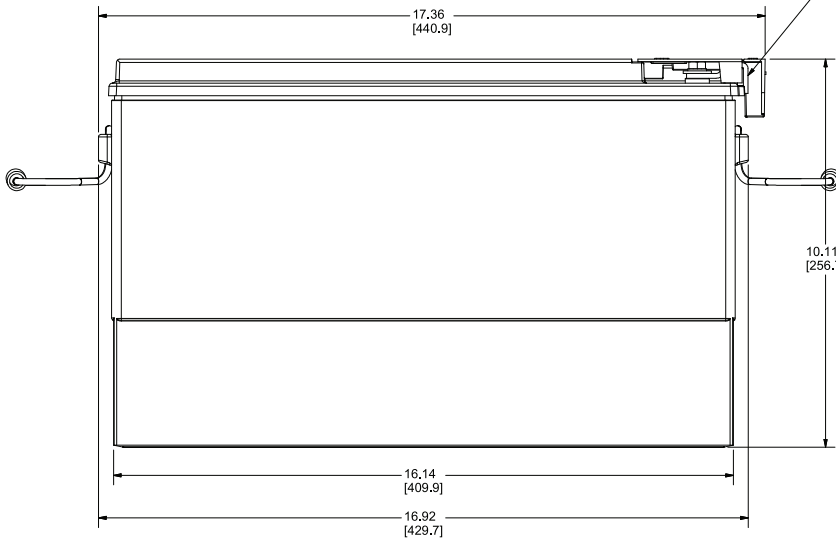
### 6 YEAR FULL WARRANTY

AT AN AVERAGE AMBIENT TEMPERATURE OF 95°F



0.63 OFFSET  
[15.9]

1/4-20 FRONT ACCESS FEMALE TERMINAL



MTA-HT145XT

**Mesa Technical Associates, Inc.**

(518) 234-2000

[www.mesa-tec.com](http://www.mesa-tec.com)

[sales@mesa-tec.com](mailto:sales@mesa-tec.com)

QUALITY SYSTEM  
CERTIFIED  
**ISO 9001**  
**ISO/TS 16949**  
ENVIRONMENTAL  
SYSTEM CERTIFIED  
**ISO 14001**

